

# INSTALLATION INSTRUCTIONS

DESCRIPTION: Rear Window Kit  
 PART NUMBER: B5H-K750A-T0  
 MODEL: '19~ YXZ1000R



## ⚠ WARNING

Please read and understand these instructions completely before installation to avoid possible injury, or damage to the accessory or vehicle.

## WARRANTY INFORMATION:

In the United States, see your authorized Yamaha dealer for a copy of the Yamaha Genuine Parts and Accessories Limited Warranty

## NOTICE:

This installation requires a torque wrench and should be performed by an authorized Yamaha dealer or other qualified technician.

## DEALER OR INSTALLER:

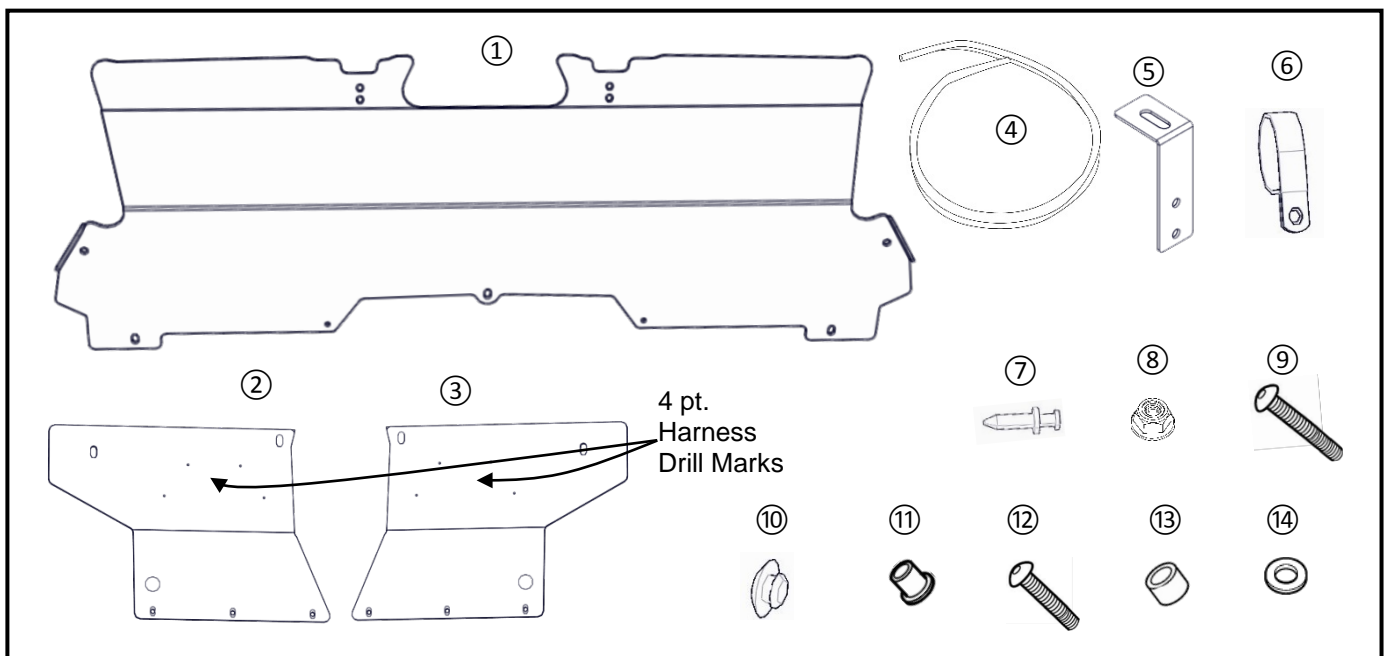
These instructions contain important information for future reference and *must* be given to the customer.

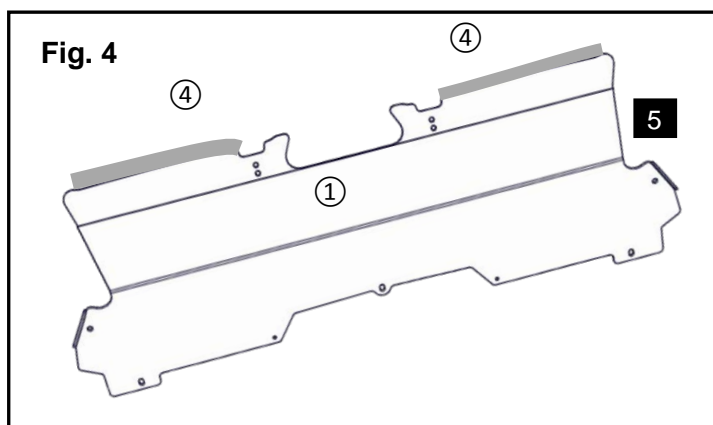
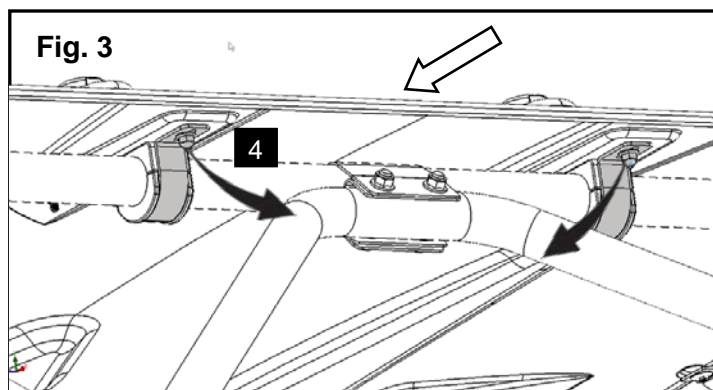
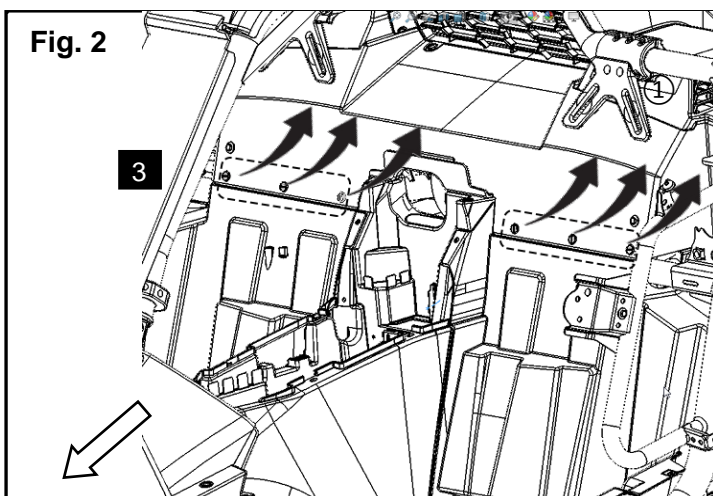
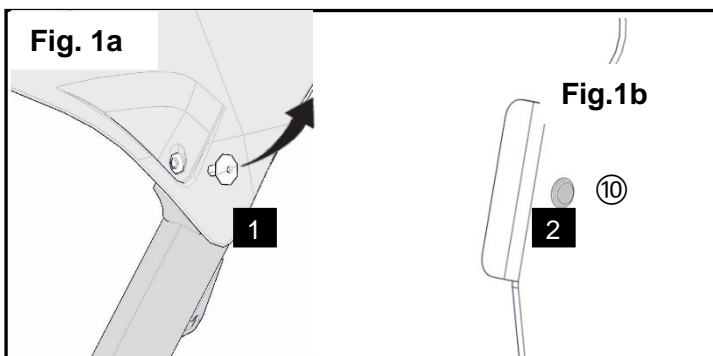
This kit can be installed in combination with the **4 Point Harness Seat Belt Kit** (p/n B57-F47K0-V0) which also requires the **4 Point Harness Mount Kit** (p/n B5H-F47C0-V0. **Note:** Install them before installing this kit.

## PARTS LIST:

No.	Part Number	Description	Qty
--	B5H-K750A-T0	Rear Window Kit	--
①	*	Rear Window	1
②	*	Lower Panel Right side	1
③	*	Lower Panel Left side	1
④	*	Weatherstrip – 14 in.	2
⑤	*	L Bracket	2
⑥	*	Clamp	3
⑦	*	Plastic Rivet	8
⑧	*	M6 Nut	7
⑨	*	M6x30mm Button Head Bolt	3
⑩	*	Rubber Grommet	2
⑪	*	Spacer (tall)	3
⑫	*	M6x25 Button Head Socket Bolt	4
⑬	*	Shoulder Spacer (short)	4
⑭	*	M6 Washer	4

\* Part supplied with kit only and not available separately.





## PREPARATION:

- Place the vehicle on a secure and level surface.
- Set the parking brake.
- Clean mount surfaces before starting installation.

## Tools Needed for This Installation

You'll need these tools and Materials:

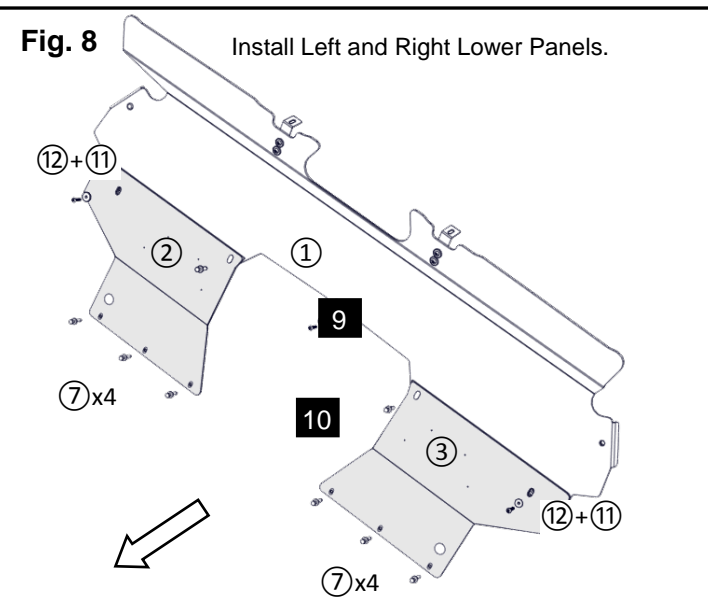
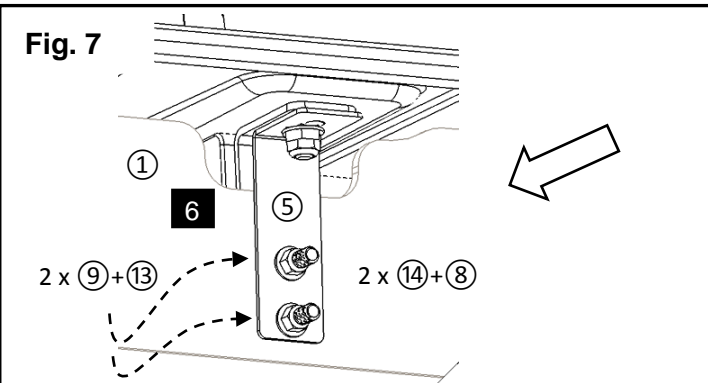
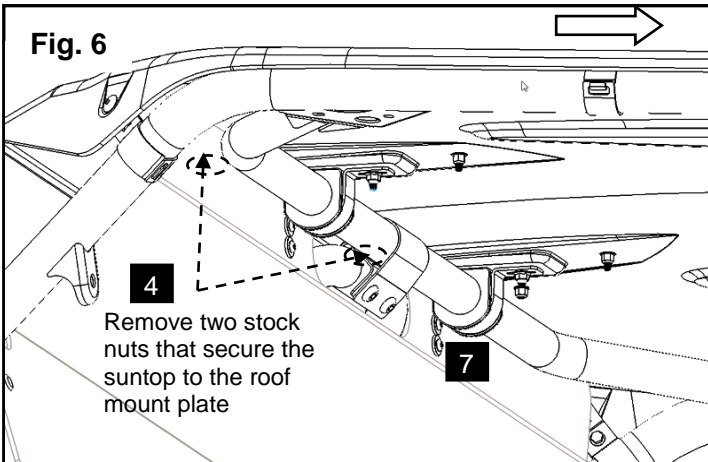
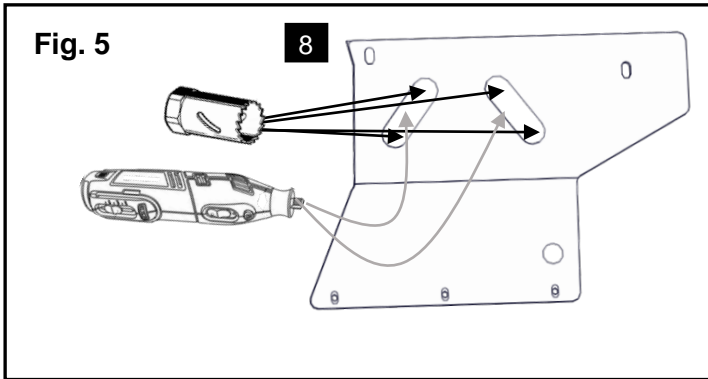
- Torque Wrench, 3/8" drive for Hex Socket, M6 Hex Socket, M6 T-handle Hex

## INSTALLATION:

- Remove Both Seats and retain hardware for reuse.
- Remove the Battery Box Cover and retain.
- Remove the oil maintenance covers on the left and right of the center duct.

- 1 On the Suntop: Remove 2 rear corner bolts – one on each side. Retain bolts for reuse. See Fig 1a.
- 2 Press the two ⑩ Rubber Grommets into the mount holes of the ① Window. See Fig. 1b.
- 3 Remove the 6 Plastic Rivets from the panel behind the seat to the cargo bed. These are not reused.
- 4 Remove two stock nuts that secure the suntop to the roof mount plate. Fig.3 shows the suntop and clamp assembly looking from the rear forward. Fig. 6 shows this suntop / clamp assembly looking from the inside towards the rear.
- 5 Press the two ④ Seals onto the tops of the right and left edges of the ① Window as shown in Fig. 4.
- 6 Loosely install two ⑤ Brackets with four ⑨ bolts, four ⑬ spacers, four ⑭ M6 Washers, and four ⑧ locknuts to the ① Rear Window, as shown in Fig 7.
- 7 Put window into vehicle – The vertical panel at the top of the rear window fits against the ROPS tube as shown in Fig.6.
- 8 **Note:** Skip to step 9 if you are not installing the 4 Point Harness: Drill out the harness mount pass through holes in the ② Left and ③ Right Lower Panels (black). Use a 1 1/4" hole saw and drill at the 4 pt. Harness Drill Marks. Use a rotary plastic cutting bit or jig saw to remove the material to create a slot on each side. See Fig. 5.

**⚠ WARNING** Ensure four point harness belts do not wear against the edges of the openings you just cut in the plastic rear panels.



**9** Install the (2) Left and (3) Right Lower Panels (black) to the interior panel behind the seats with eight (7) Rivets. See Fig. 8.

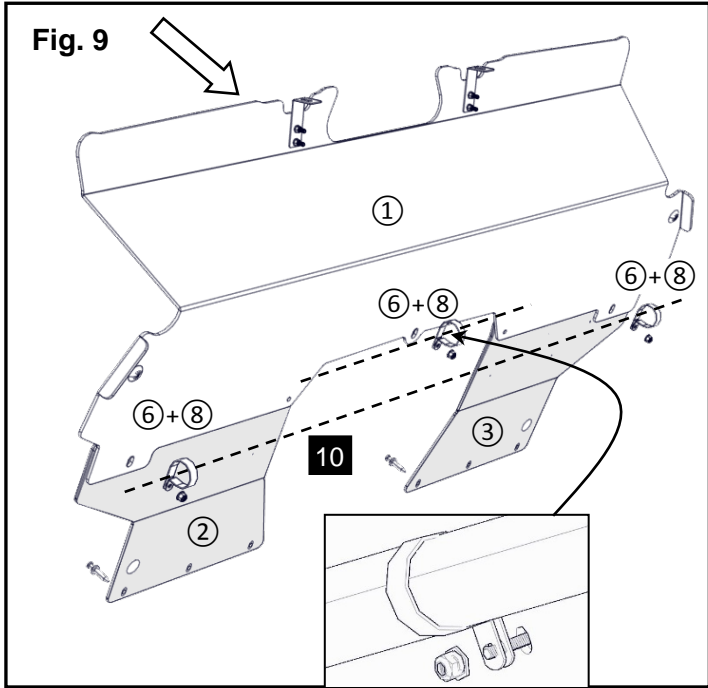
**10** Working from inside the vehicle, ensure the (1) Window seats behind the two lower panels ((2) & (3)). Attach the assembled window to the rear cross bars. From inside the cab, the 'stack' of hardware is: (12) bolt + (11) spacer + (2) or (3) panel + (1) window + (6) clamp + (8) nut. Leave assembly loose to permit some adjustment.

**See Fig. 8 & 9.** When you're satisfied, start tightening in this order:

1. Outer upper suntop (2)
2. Cross bar clamps (3)
3. Center bracket bolts (2)

**11** Reinstall the seats and all other parts you removed in preparation for this installation.

**Note:** If installing the rear window and the four point harness/mount, follow the instructions in the four point harness kit to install the harness belts through the rear lower panels.



**MAINTENANCE:**

Periodically, check torque on all hardware. If loose hardware is found, re-torque to specification.

**CARE AND CLEANING:**

Clean rear window with a cloth or sponge dampened with a neutral detergent and rinse with clean water. For additional cleaning, use Yamalube® Windshield & Visor Plastic Cleaner & Conditioner (ACC-PLASP-OL-11).

**NOTICE:**

Avoid alkaline or strong acid cleaner, gasoline, brake fluid, or any other solvent. Some cleaning compounds for plastics may leave scratches on surfaces of the windshield. Before use, test by polishing an area which does not affect visibility.

**CUSTOMER SERVICE:**

For further information see your Yamaha dealer.

**ESTIMATED TIME TO INSTALL: 1.0 HRS**